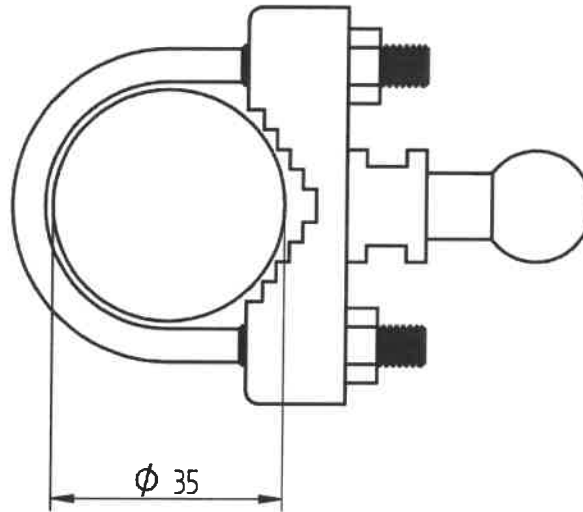
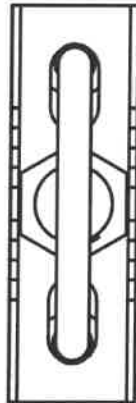
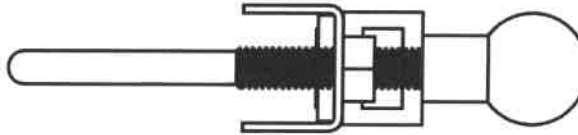
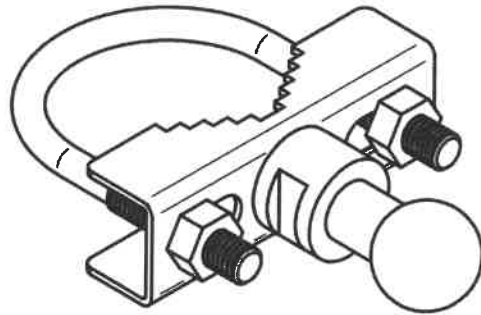


**ROHS**

ISO 9001

ISO 14001



NO		DESCRIPTION	MATERIAL	Q"TY	Material:	Treatment:	Unit: mm		TITLE			
					Drawer	Design	Aprov	Tolerance	Ver: A	Scale 1:1	Model NO	
Part NO								X=±0.1	File NO: QR0402		Drawing NO	Draft8
								.X=±0.05				
								.XX=±0.02				