

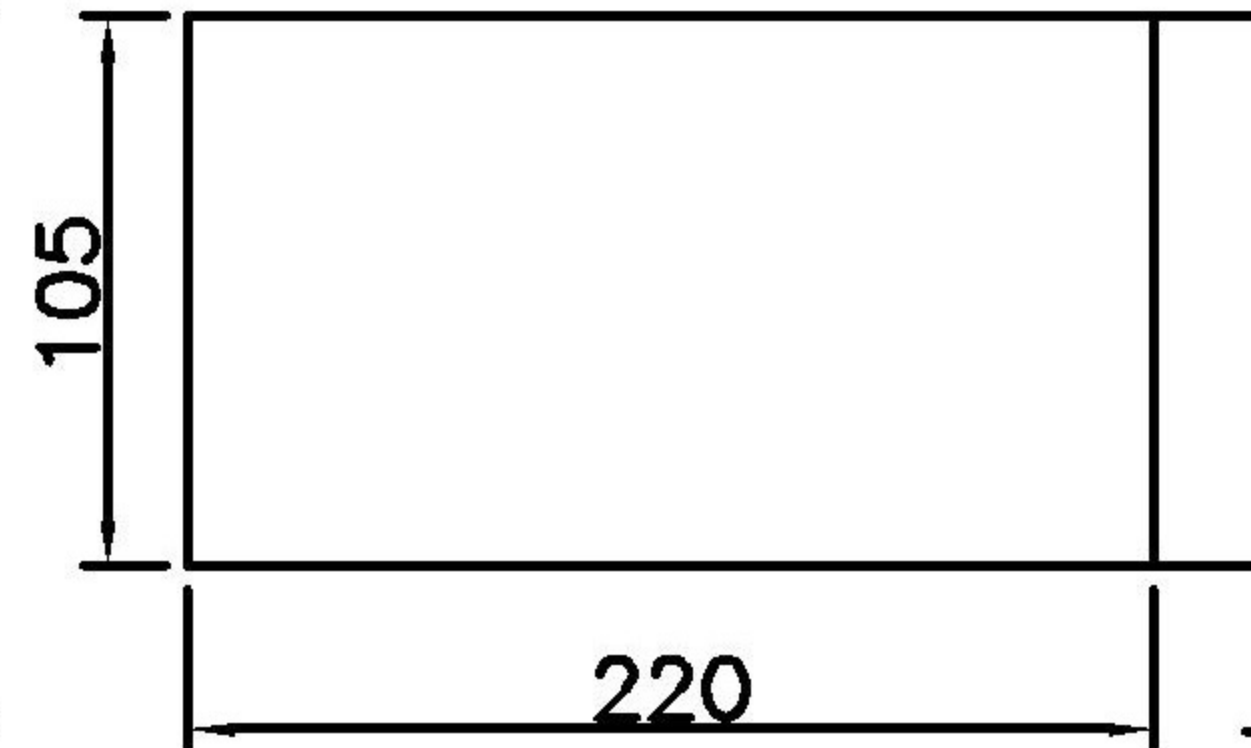
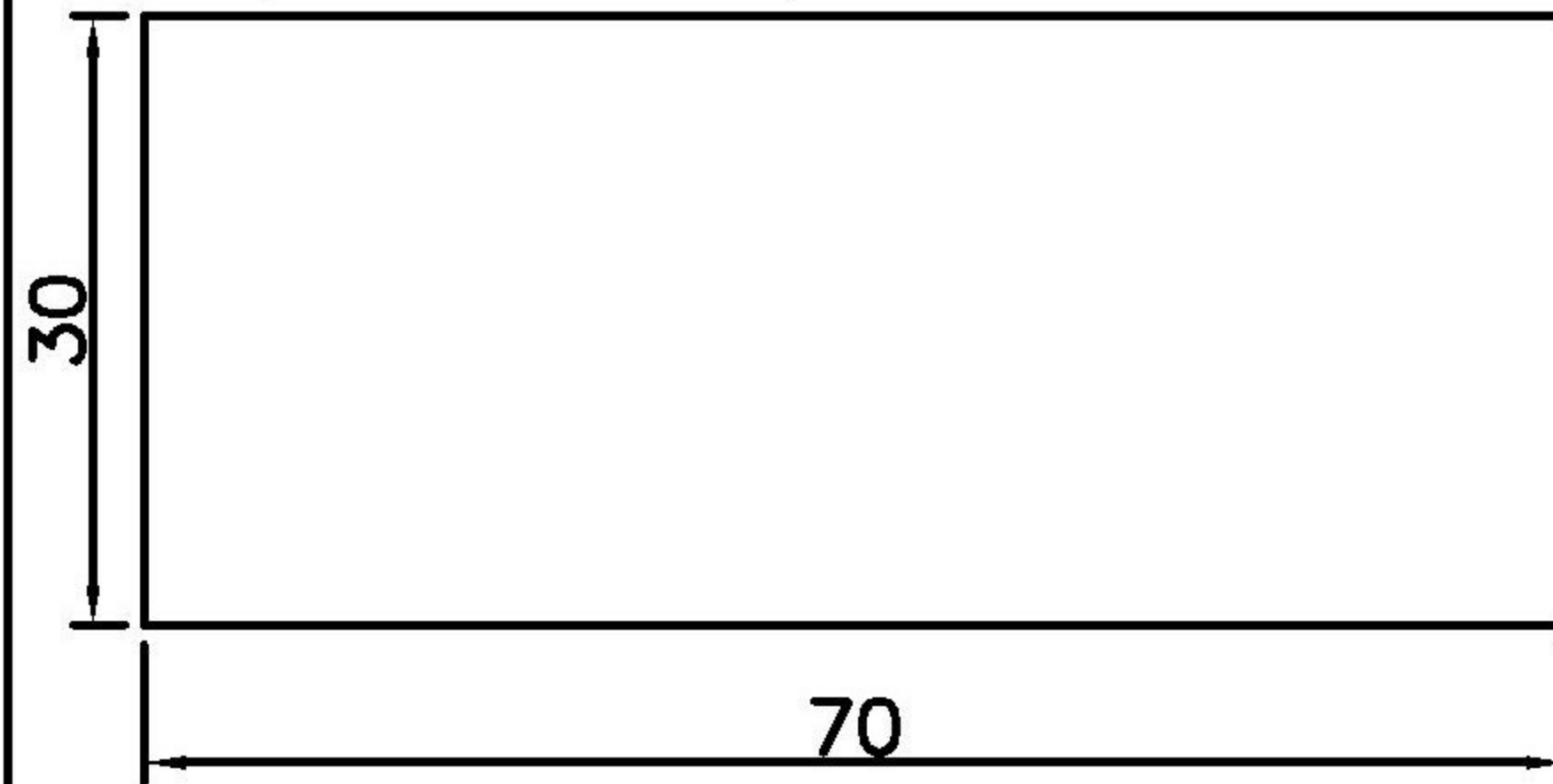
	Cover	OD	Cable	Connector	Gain	V.S.W.R	Impedance	Frequency
GNSS	Black	$\phi 2.6 \pm 0.2$	RG316/U	SMB F RA (Gold)	LNA 30dB	2.0:1	50 $\Omega$	1575.42/1602MHz



ISO 9001  
ISO 14001

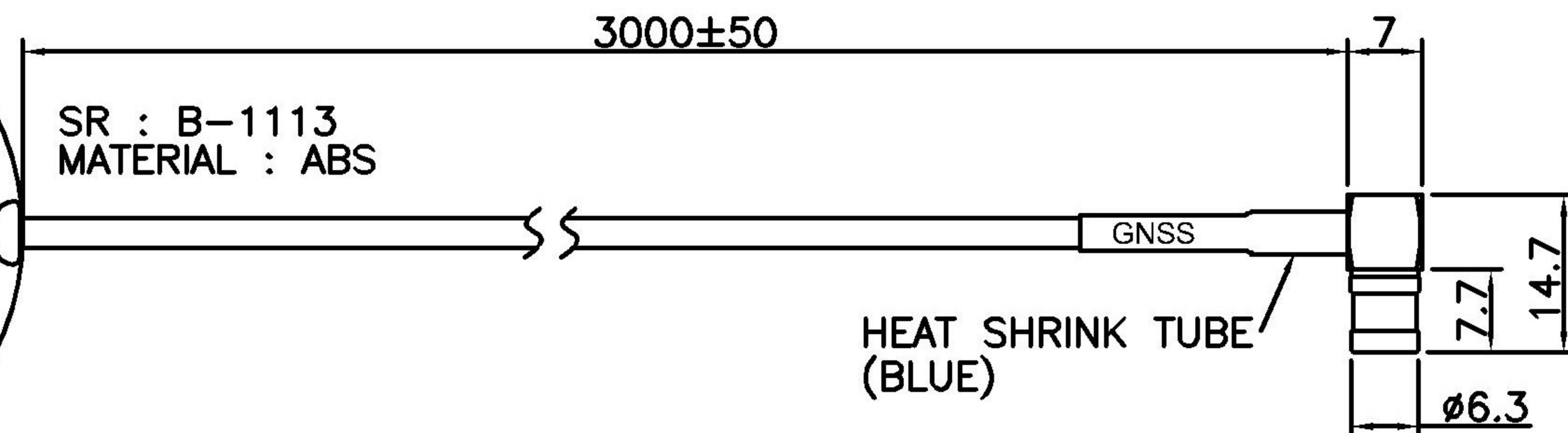
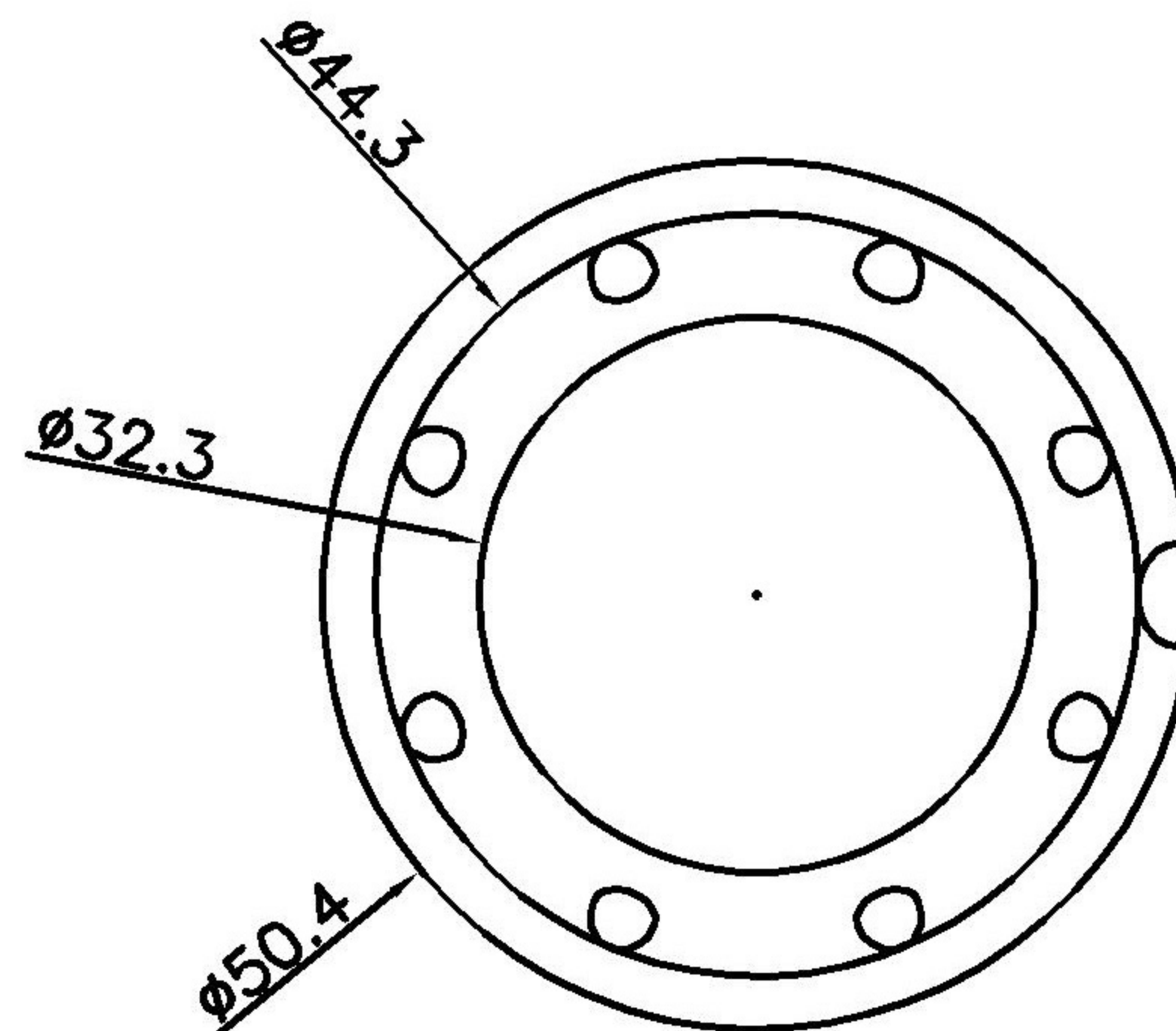
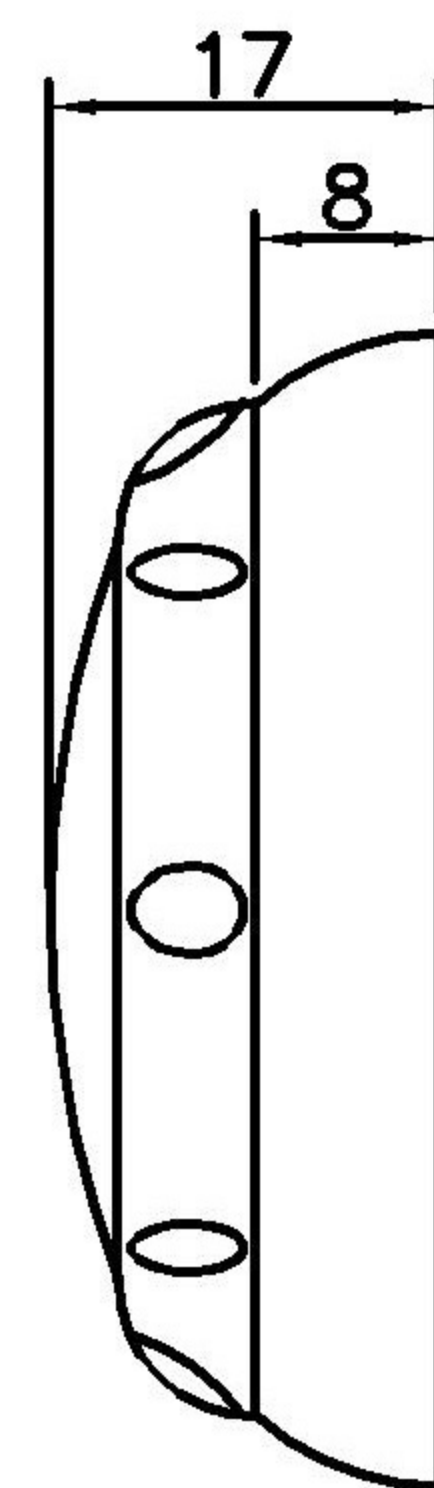
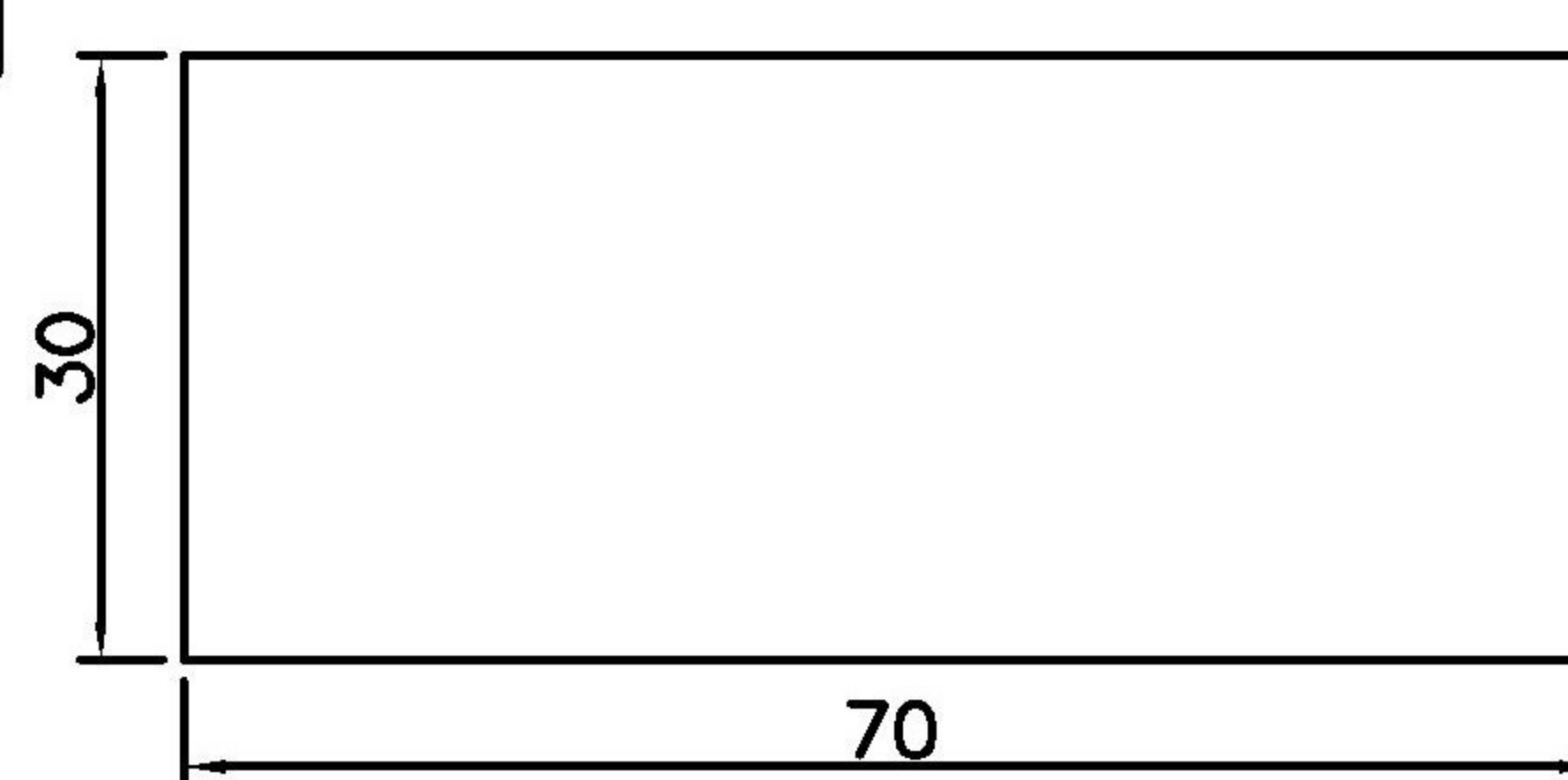
Unit packaging sticker  
(PK-1236)

Unit packaging PE bag  
(PK-245)



10Pcs sticker (PK-1237)

10Pcs PE bag (PK-297)



SMB M F PIN 90°

Material:		Treatment:		TRANSVOICE			
Drawer	Design	Aprov	Tolerance	Unit: mm		TITLE	R30(GNSS)+316U+SMB F RA
			X=±0.5 .X=±0.2 .XX=±0.1 .XXX=±0.05	Ver: A	Scale 1:1	Model NO	202-008
NO	DESCRIPTION	MATERIAL / FINISH	Q*TY	File NO: QR0402	Drawing NO	100-27001-0198	
Part NO							