

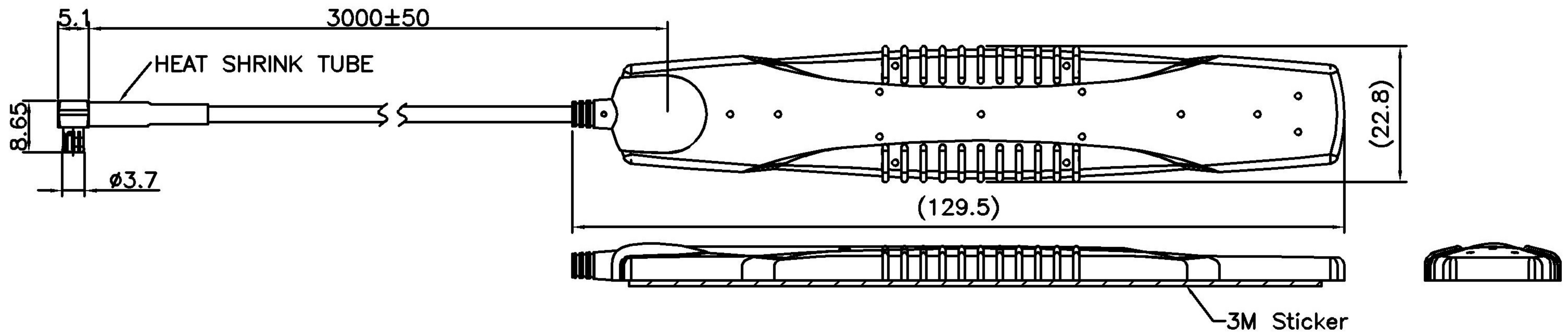
Cable	RG316/U
OD	ø2.6±0.2mm
Cover	Black
MCX M RA	Gold-plated

Frequency	600~960MHz 1710~6000MHz
V.S.W.R	2.0:1
Impedance	50Ω
Gain	2.5dB

3M Sticker	1.2mm
------------	-------

ROHS

ISO 9001
ISO 14001



				Material:	Treatment:	TRANSVOICE					
NO	DESCRIPTION	MATERIAL/FINISH	Q*TY	Drawer	Design	Aprov	Tolerance	Unit: mm		TITLE	Ant +316U+ MCX M RA
Part NO							X=±0.5 .X=±0.2 .XX=±0.1 .XXX=±0.05	Ver: A	Scale 1:1	Model NO	202-006
								File NO: QR0402		Drawing NO	100-27001-0199